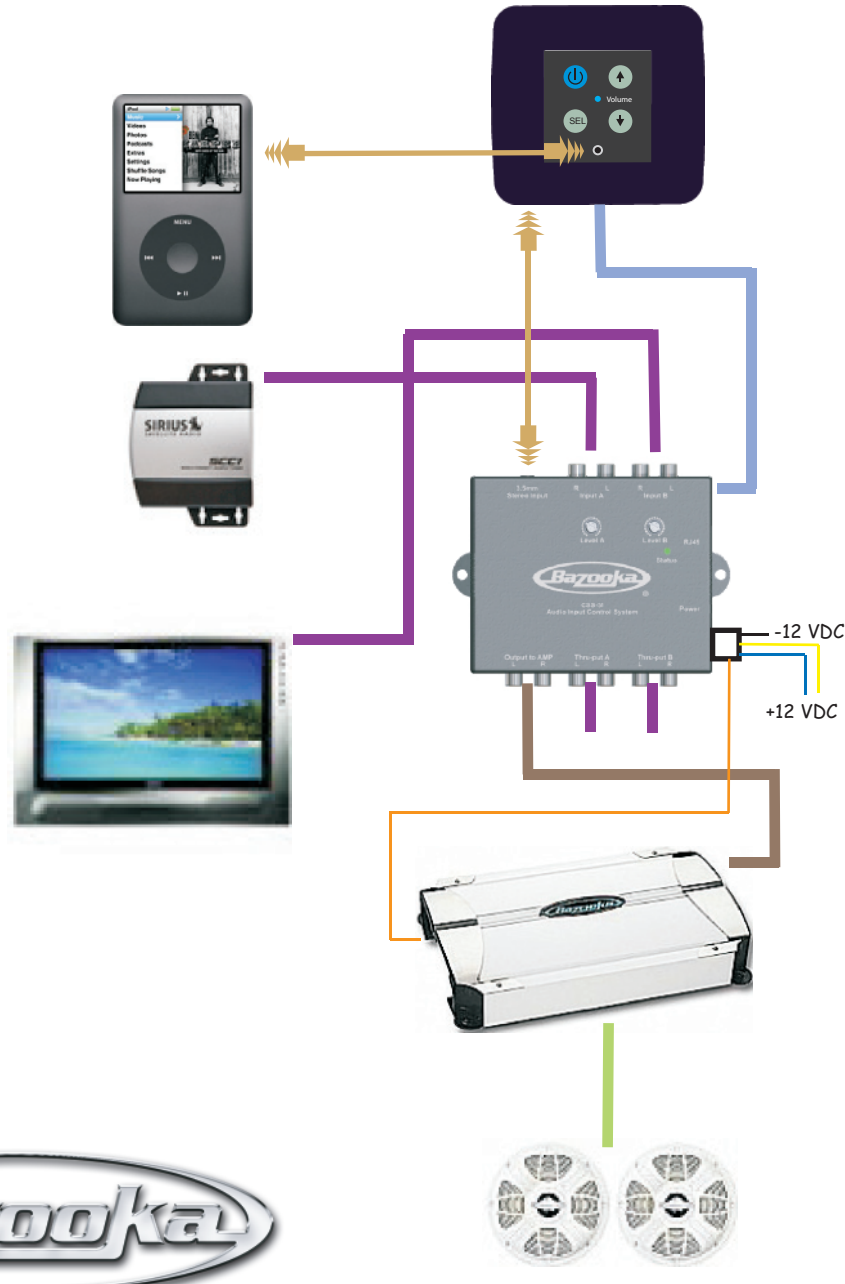
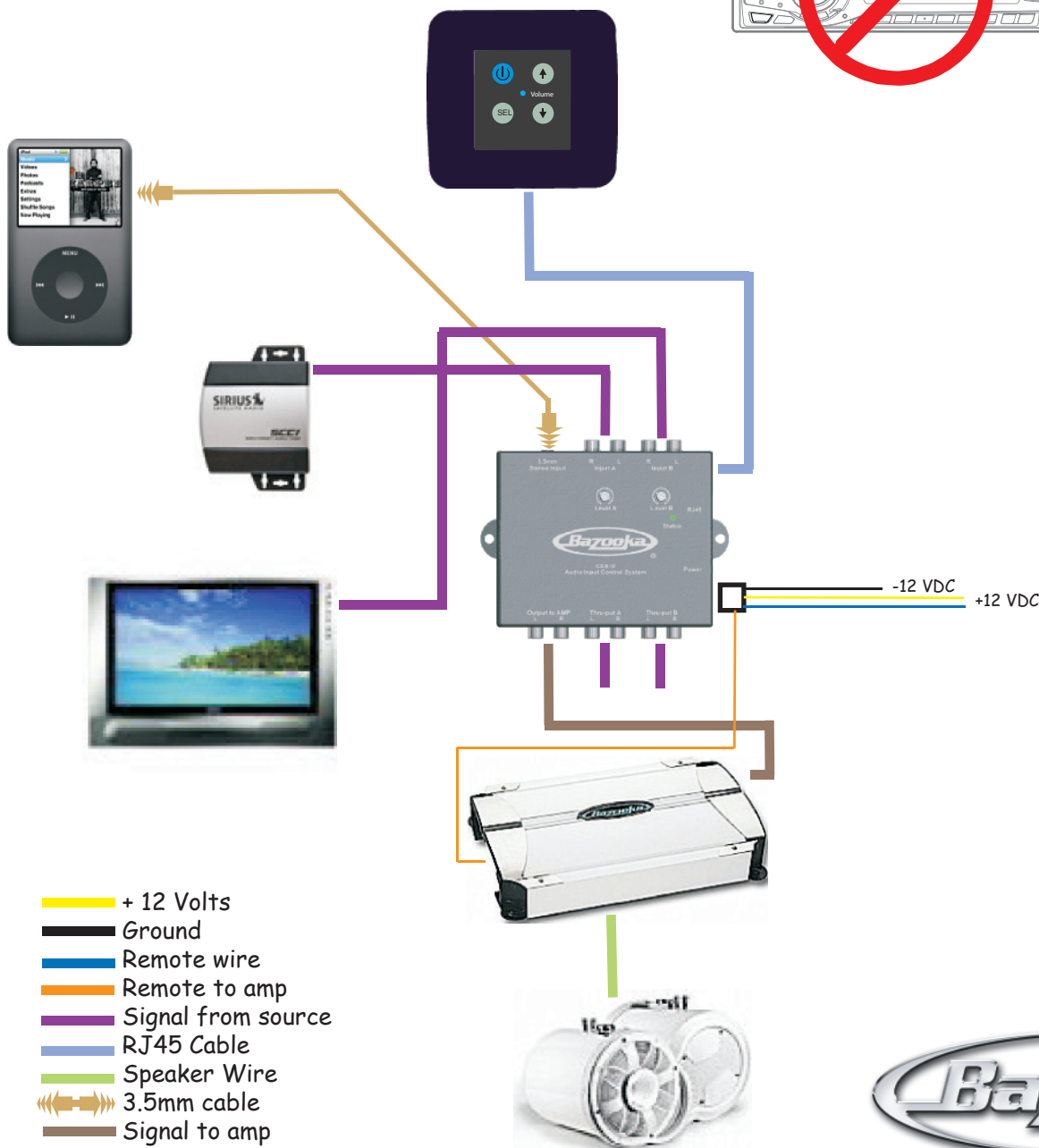
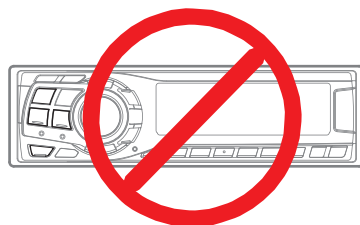


Waterproof remote (CSR-W)
Controls any amp through the
CSS-3I triple source input control

No Head Unit Required

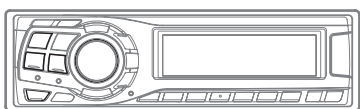
Interior remote (CSR-I)
Controls any amp through the
CSS-3I triple source input control



CSR-W



Waterproof remote Controls CSA-2.



Waterproof remote

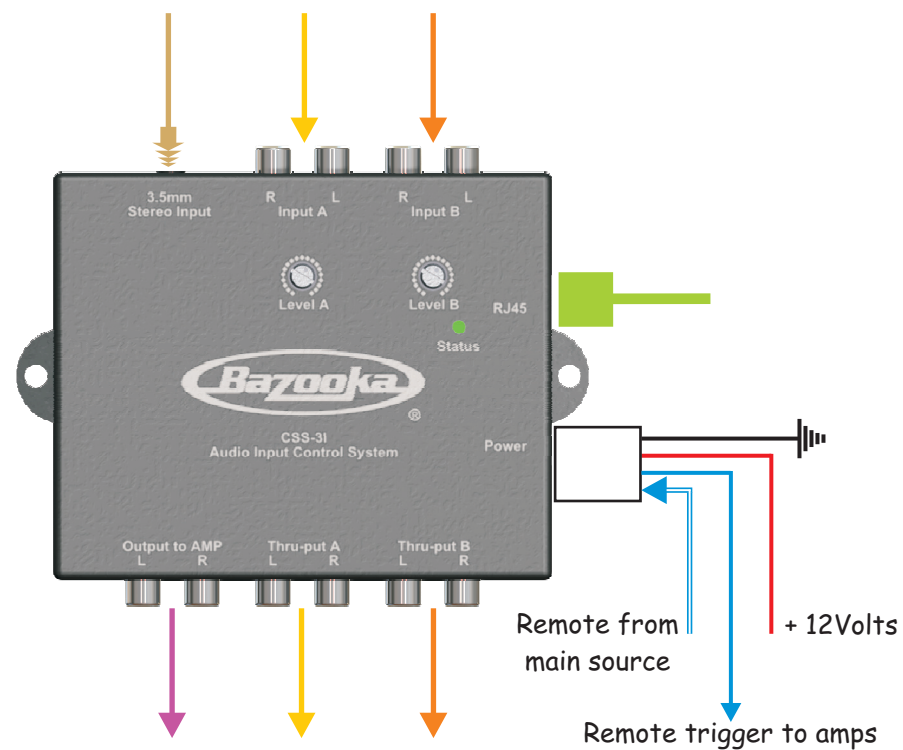


CSR-W

Interior remote



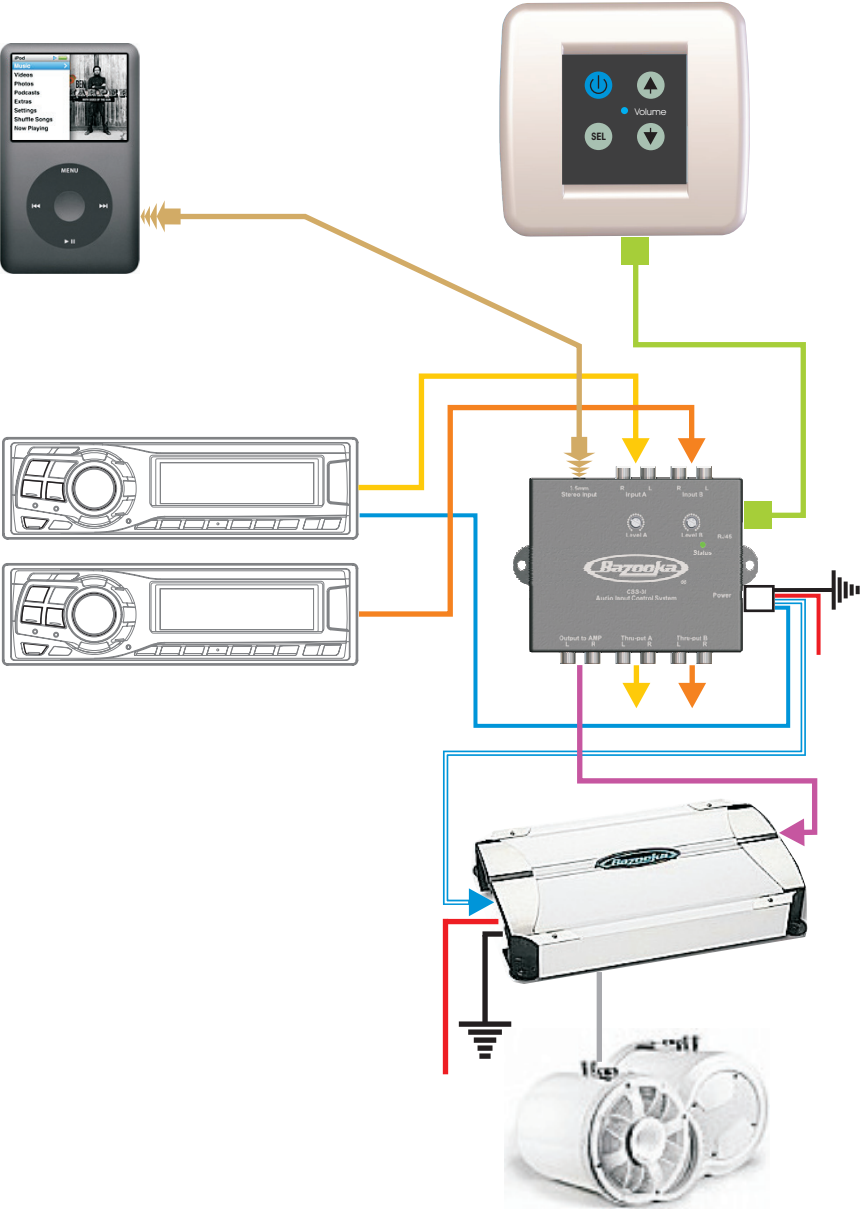
CSR-I



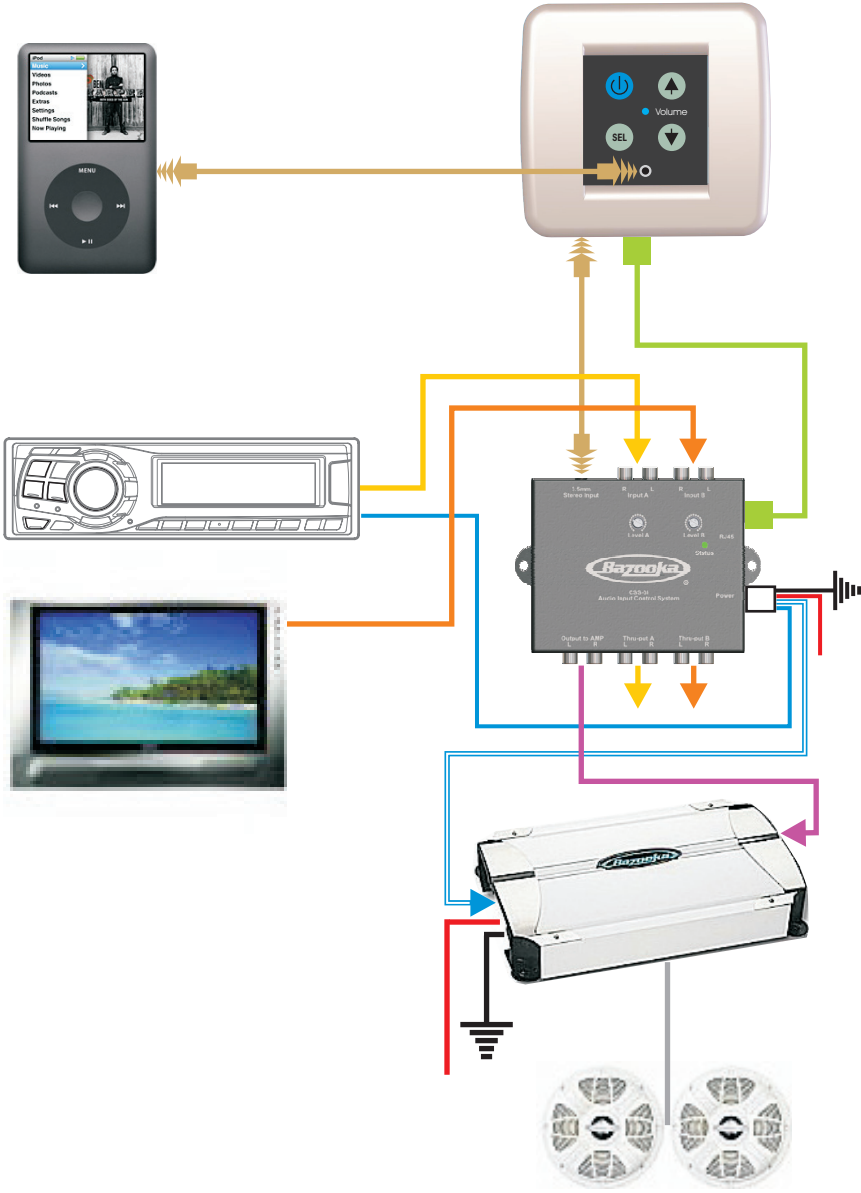
Audio Input Control Switch (CSS-3I)



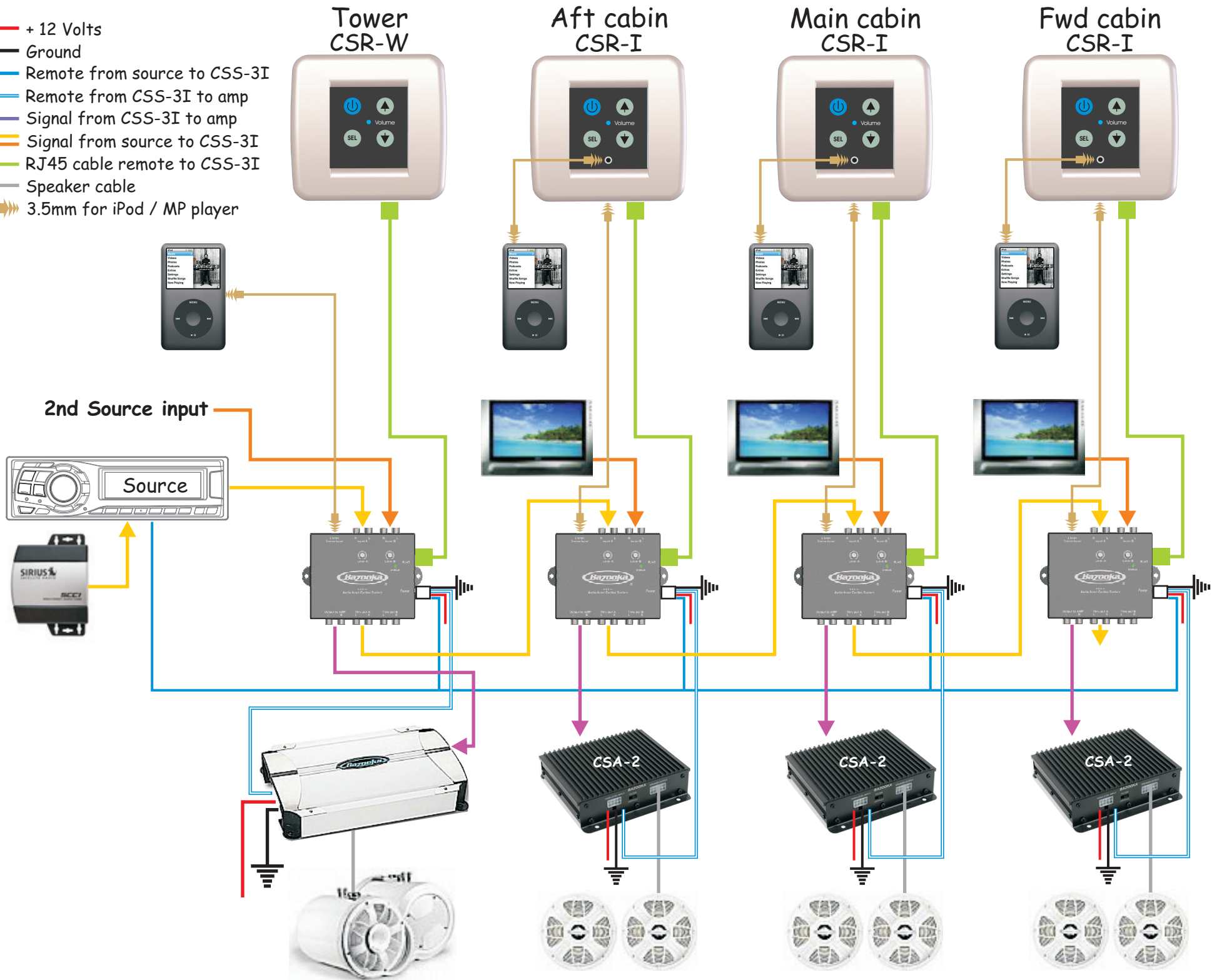
Waterproof remote (CSR-W)
Controls any amp through CSS-3I
Triple source input



Interior remote (CSR-I)
controls any amp through CSS-3I
Triple source input



- + 12 Volts
- Ground
- Remote from source to CSS-3I
- Remote from CSS-3I to amp
- Signal from CSS-3I to amp
- Signal from source to CSS-3I
- RJ45 cable remote to CSS-3I
- Speaker cable
- 3.5mm for iPod / MP player



Waterproof & Interior remote sequence of operation

Depressing the SEL button toggles A/B/C ("C" being the 3.5 input jack.)



Connecting the 3.5 jack automatically switch's the source to "C"



Depressing the SEL button toggles the source to "A"



Again depressing the SEL button toggles the source to "B" and depressing it a third time back to "C"

